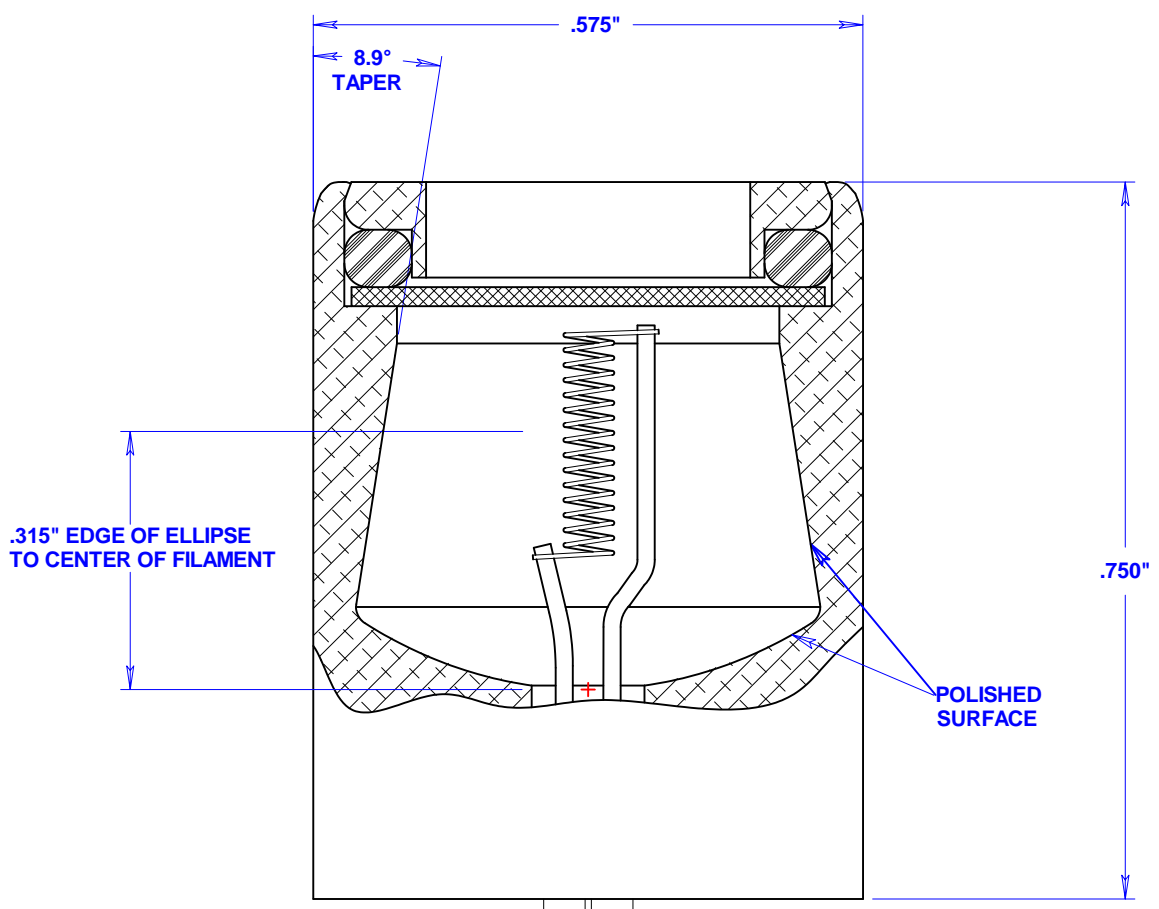


LTR	DATE	AUTH	REQ	DESCRIPTION
NC	02-23-11	TC	MA	ORIGINAL ISSUE. ECR4212.



SPECIFICATION:

- VOLTAGE: 5.0 VOLTS
- CURRENT DRAW: .50 AMPS
- MAJOR AXIS: .585"
- MINOR AXIS: .494"
- FOCUS: .315"
- HOUSING MATERIAL: ALUMINUM, 2011-T3
- WINDOW MATERIAL: ZINC SELENIDE
- WIRE LEADS: TEFLON INSULATED 22AWG, 6" LONG
- HERMETICALLY SEALED IN AN ARGON ENVIRONMENT

CUSTOMERS APPROVAL:

DATE: _____

TITLE		<p align="center">CL2032 .575" IR SOURCE</p>			
TOLERANCES UNLESS OTHERWISE SPECIFIED		DRAWN	DATE	REV	DRWG. NO.
1 PLACE DEC. ±.030"	ANGLES ±.50° AMPERES ±10%	HF	02-17-11	NC	40567
2 PLACES DEC. ±.010"	CANDLE POWER ±15%	CHECKED	SCALE		
3 PLACES DEC ±.005	FILAMENT TEMP ±50°K COLOR	TC	5X		